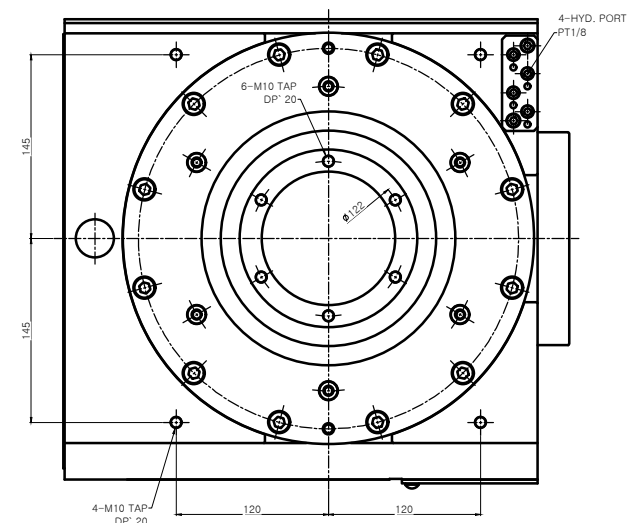
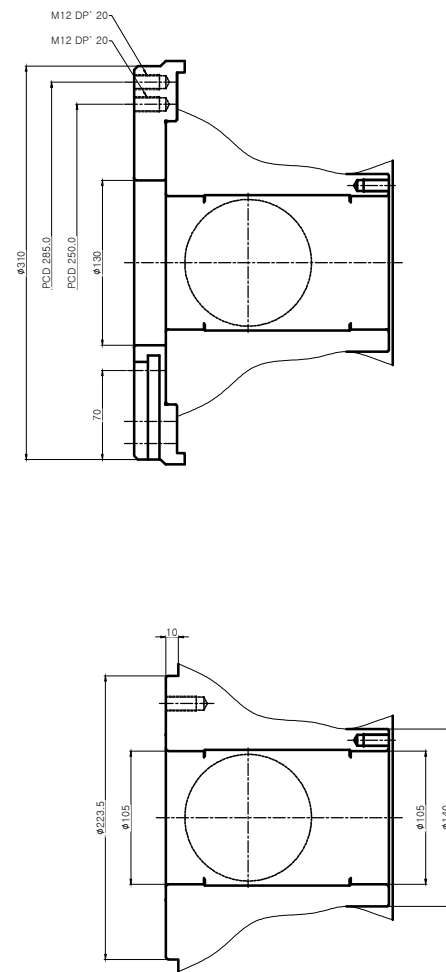
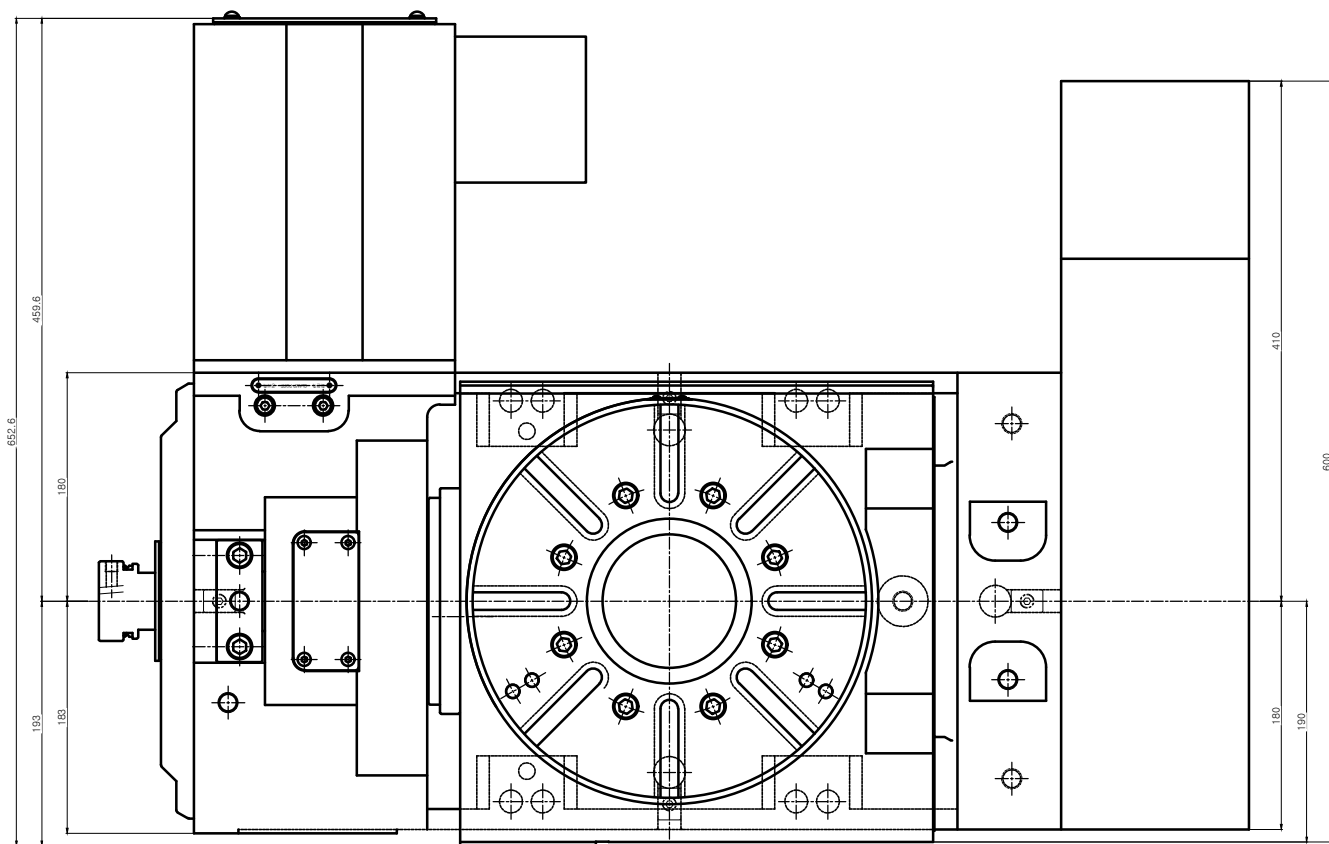
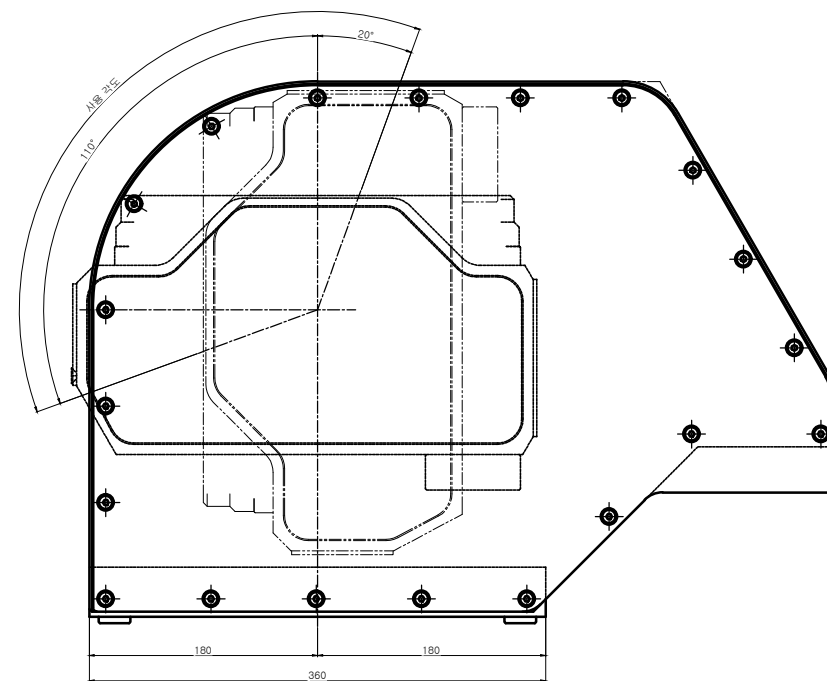
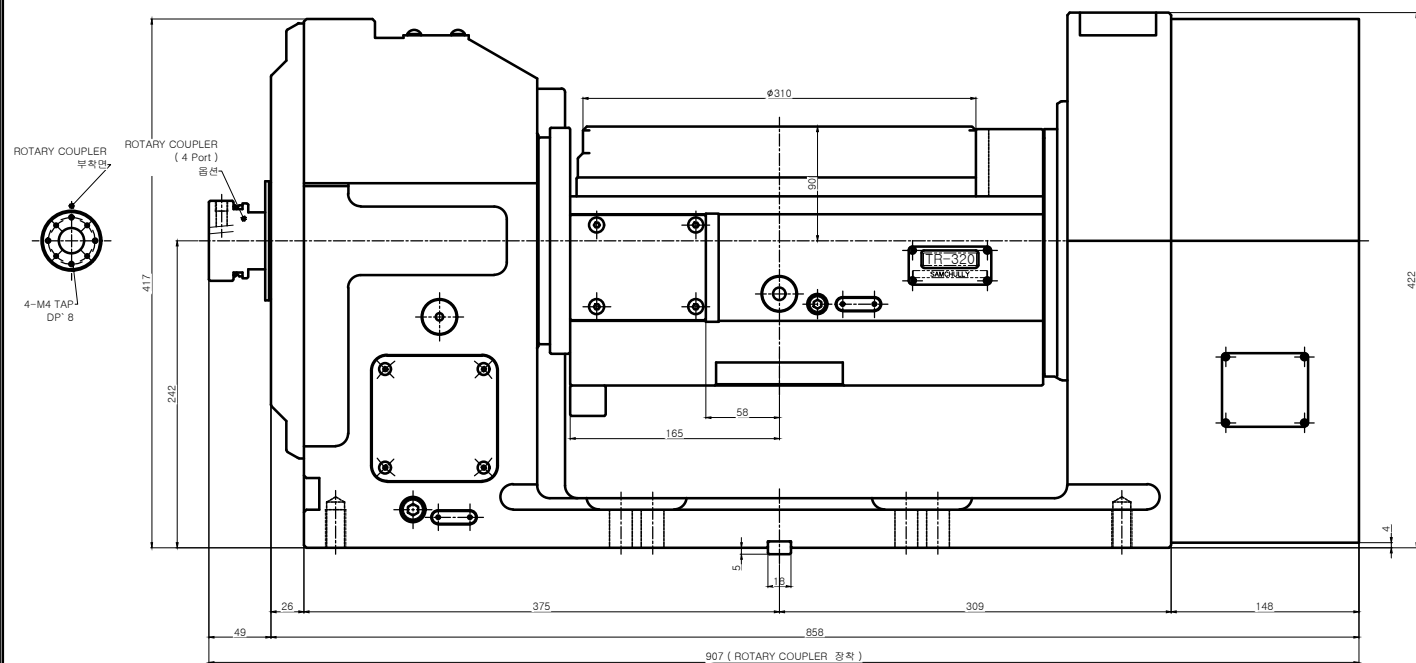


변경 사항				
기호	변경 내용	날짜	수정	인
△				
△				



회전 방향



[TR-320YY Specifications]

A 축 사양 (경사)		C 축 사양 (회전)	
Tilting Angle	+110° ~ -20°	Rotating Angle	360°
Clamp Force	- N.m	CLAMP FORCE	- N.m
Clamp Method	HYD. (Max 3.5MPa)	Clamp Method	HYD. (Max 3.5MPa)
Gear Ratio	1 / 120	Gear Ratio	1 / 120
Max. RPM	25 (Motor 3000 min ⁻¹)	Max. RPM	25 (Motor 3000 min ⁻¹)
Servo Motor	SGM7G-30A7A6S	Servo Motor	SGM7G-20A7A6S
		Work Weight (kgf)	150

Weight : 410 kgf

TITLE	Nc Rotary Table	PART NAME	외 형 도
DRG NO.	TR-320YY-S00-00	USER	-
CODE NO.	-	DEPARTMENT	Research & Development
SCALE	1 : 1	DATE	2012. 10. 20
	Approved	Checked	Designed

